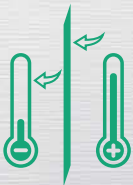
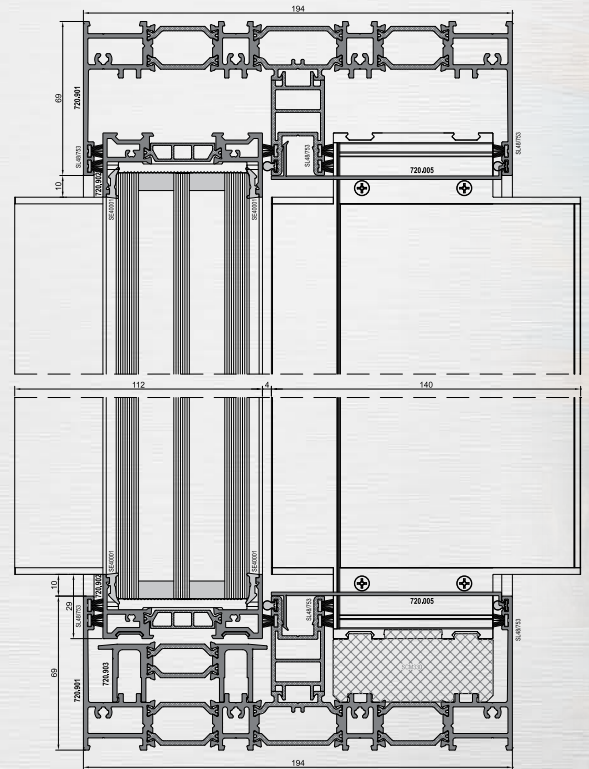
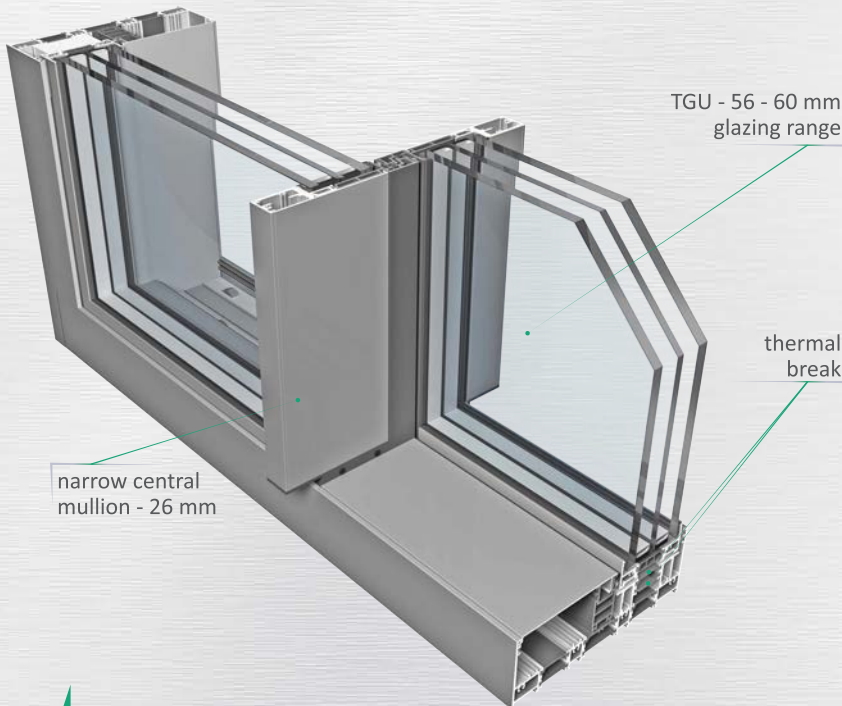
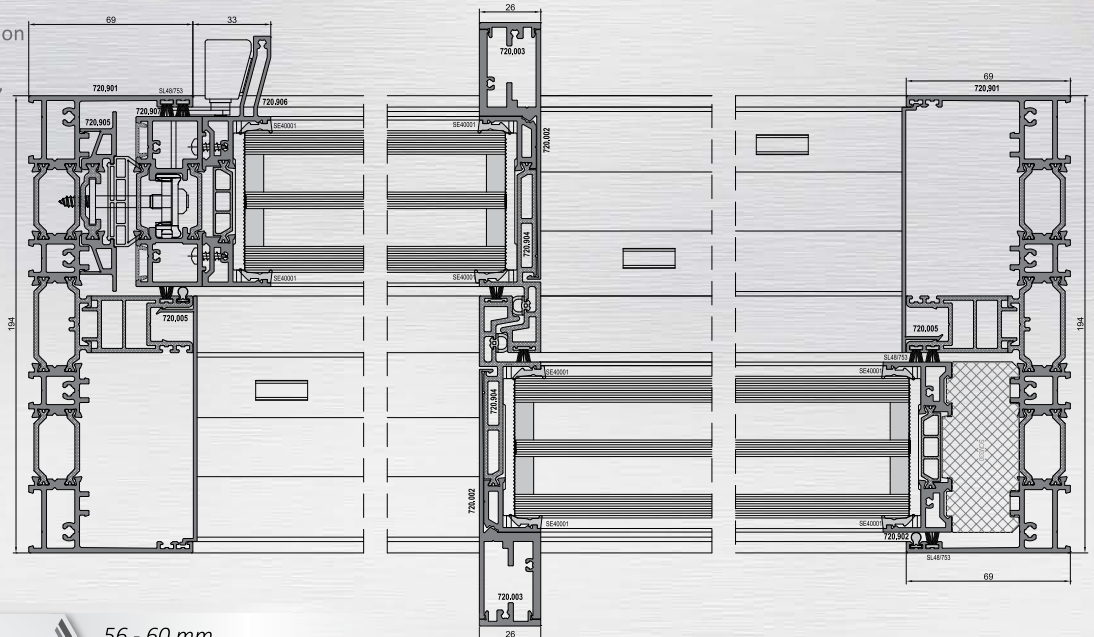


## Ponizio SL2000 greatvision



$$U_w = 0.89 \text{ W/m}^2\text{K}$$

\*reference construction dimensions:  
L 2400 x H 2400 mm,  
 $U_g = 0.5 \text{ W/m}^2\text{K}$ ,  
triple glazing



### Technical parameters

Filling thickness	56 - 60 mm
Sash depth	72 mm
Frame depth	194 mm
Central mullion width	26 mm
Maximum sash dimensions	L 4000 or H 4000 mm
Minimum sash dimensions	L 800 x H 2000 mm
Maximum sash weight	manual: 500 kg, with drive: 700 kg
Thermal insulation	$U_f$ from 1.96 W/m <sup>2</sup> K $U_w$ from 0.89 W/m <sup>2</sup> K

A sliding door system designed for the construction of external joinery.

- » minimalist structure design
- » 3 rows of thermal breaks ensuring very good thermal insulation
- » automatic drive available
- » multipoint locking available
- » vertical profiles - flush with the frame profiles;  
horizontal profiles - visible width is 10.0 mm

## Ponzio SL2000 greatvision AUTOMATIC DRIVE VARIANT

