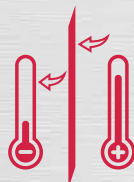
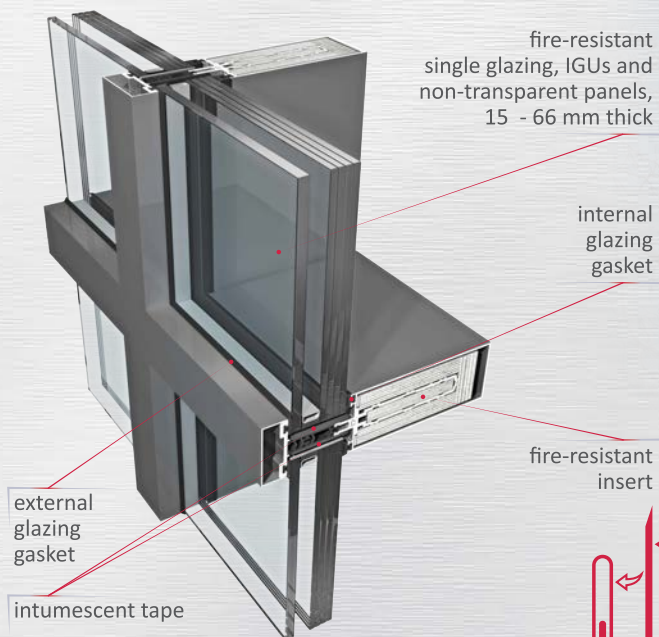


Ponzo PFI52EI EI30, EI60



$$U_{cw} = 0.78 \text{ W/m}^2\text{K}$$

*reference construction dimensions: L 1200 x H 2500 m
 $U_g = 0.5 \text{ W/m}^2\text{K}$, triple glazing

Technical parameters

Filling thickness	15 - 66 mm
Mullion depth	85 - 196 mm
Transom depth	91 - 201 mm
Mullion and transom width	52 mm
Thermal insulation	U_o from 1.7 W/m ² K
Thermal insulation	U_{cw}/U_w from 0.78 W/m ² K
Air permeability	class AE 2100
Watertightness	class RE 2100
Classification	fire resistance: LBO-576-K/14
Certification	<ol style="list-style-type: none"> classification 03-01561/19/R126NZE 01561/16/R83NZZP "Assessment of fire propagation along Ponzo PFI52 walls and roof coverings" 1561/19/R118NZZP + Annex 1561/20/R136NZZP + Annex 1561/21/R143NZZP "Fire resistance classification of Ponzo PFI52 full and part configuration curtain walls manufactured by Ponzo Polska Sp. z o.o."

A fire-resistant variant of the Ponzo PFI52 curtain wall system, classified EI30 and EI60.

- fire-resistant curtain walls with glazed and non-transparent spandrels
- external cover profile width - 51 mm
- overall construction width and height not limited
- single and double PE78EI fire-resistant windows and doors may be mounted in the curtain wall
- thermal spacers protected with intumescent tapes
- tight seal of frame-filling connections
- load-bearing capability during fire ensured by internal aluminium reinforcing profiles with fire-resistant inserts and special mullion-transom joints

