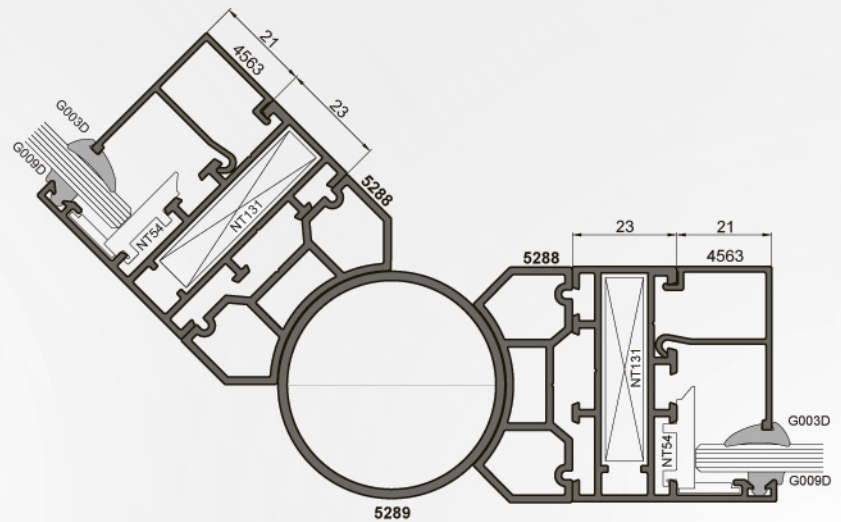
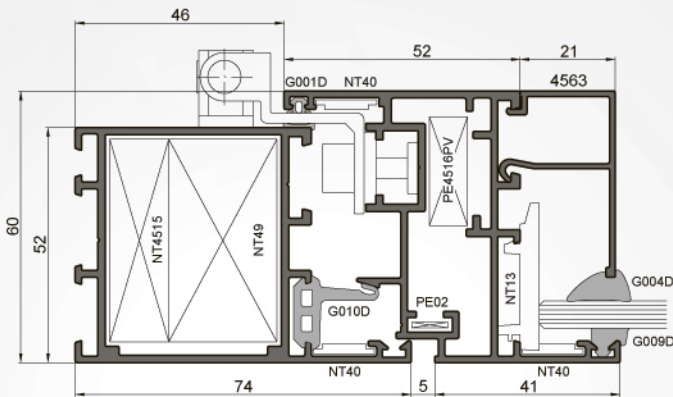
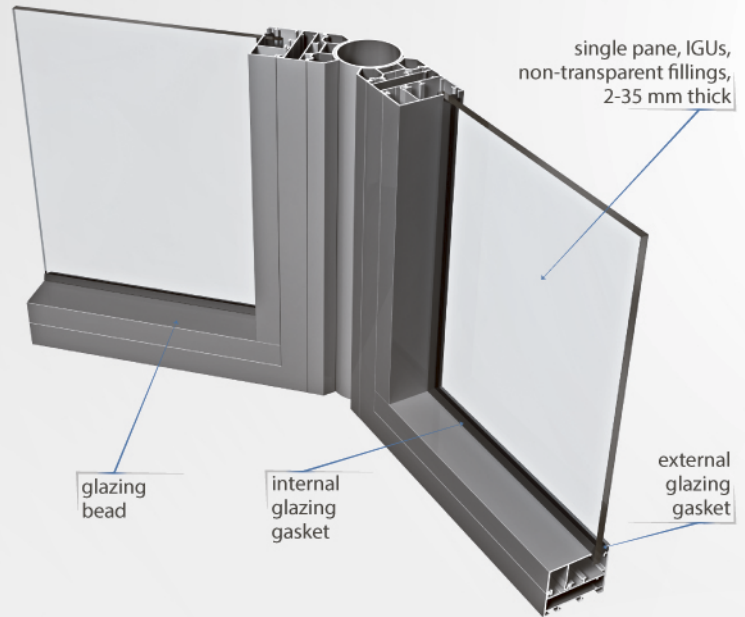
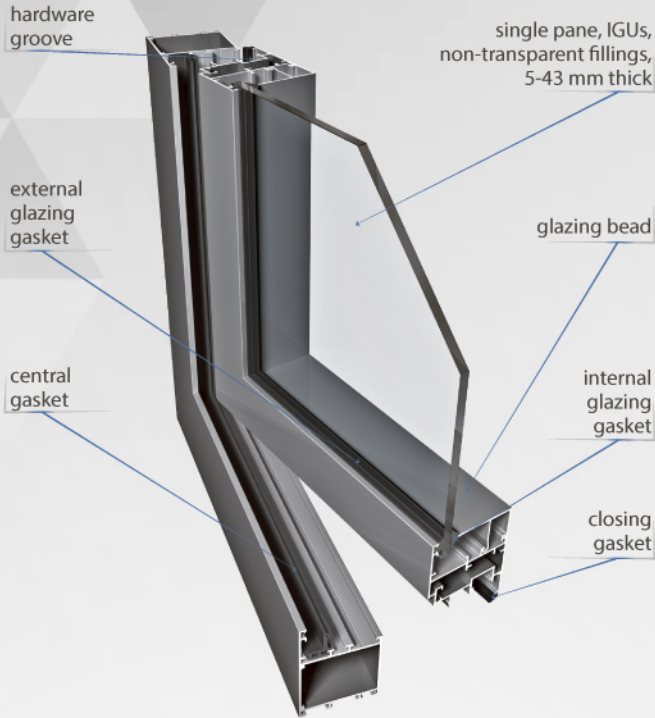


INTERNAL GLAZED PARTITIONS AND DOORS

PONZIO PE50 WINDOW

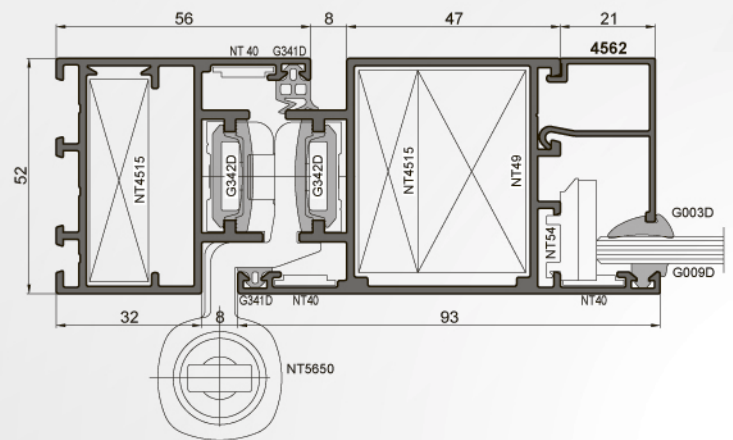
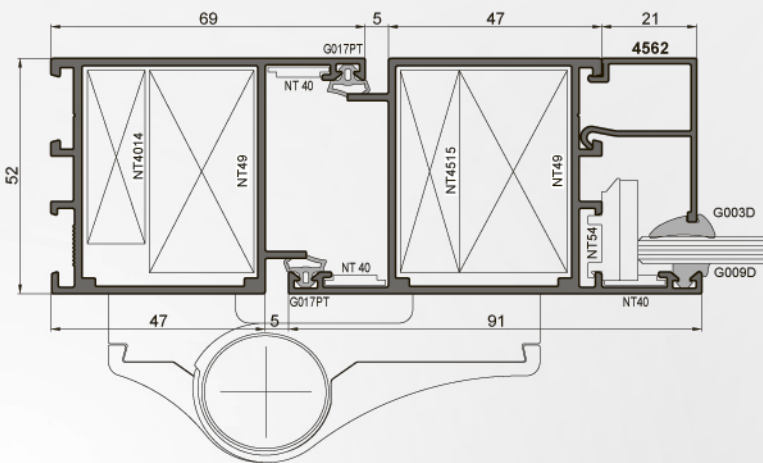
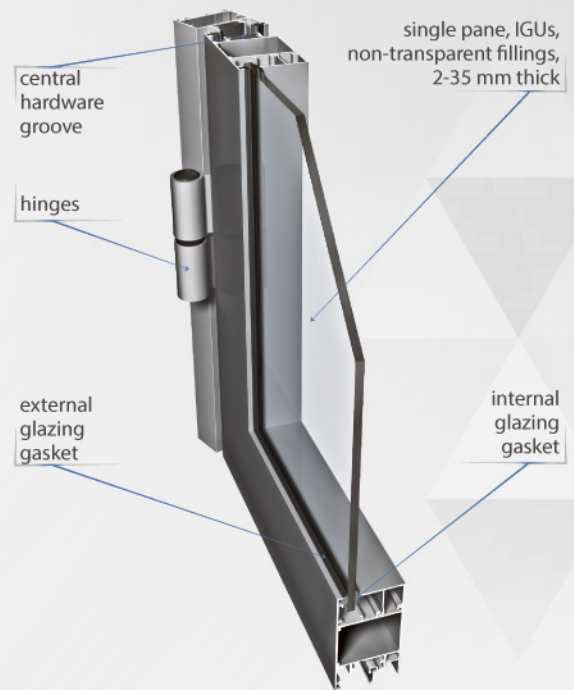
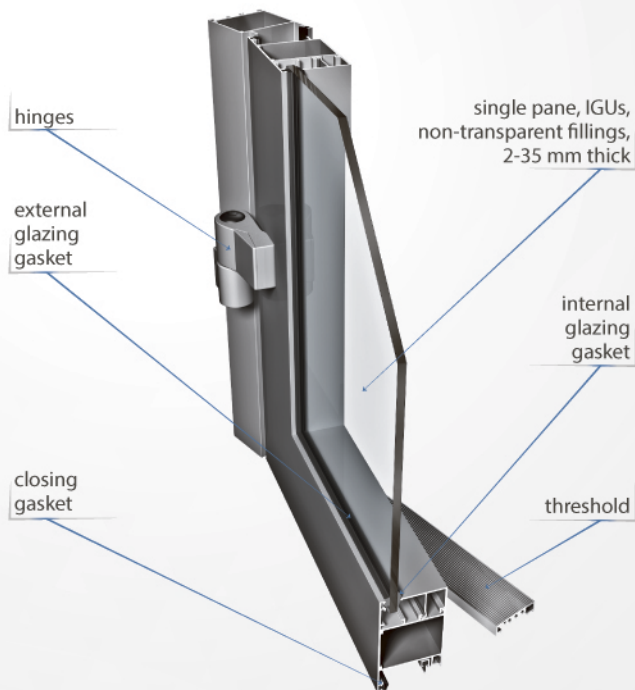
PONZIO PE50 PARTITION



- aluminium system without thermal insulation designed for internal glazed partitions, single and double doors and openable windows
- profile depth: 52 mm
- interconnected with other Ponzio systems
- crimped or screwed joints
- glazing beads for euro groove available
- window sash flush with frame on the outside

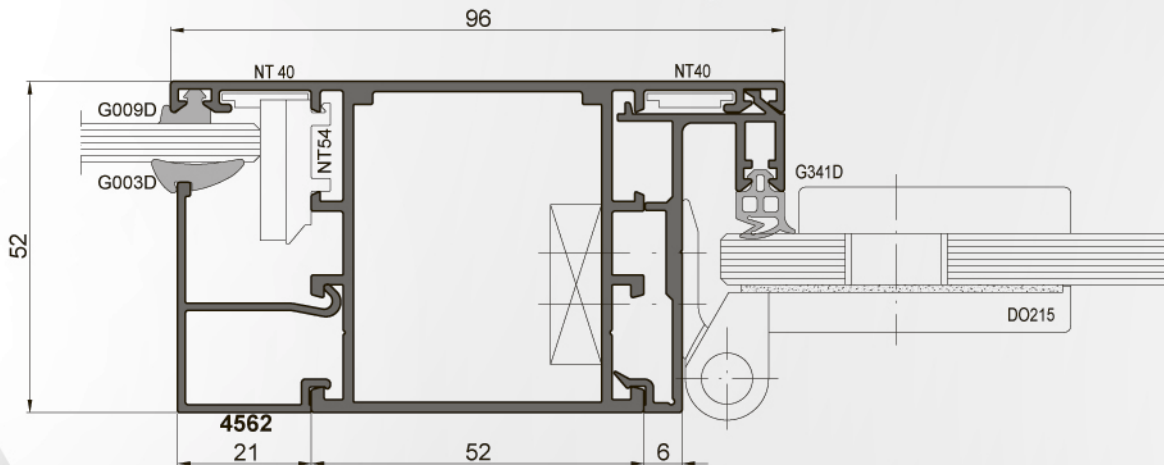
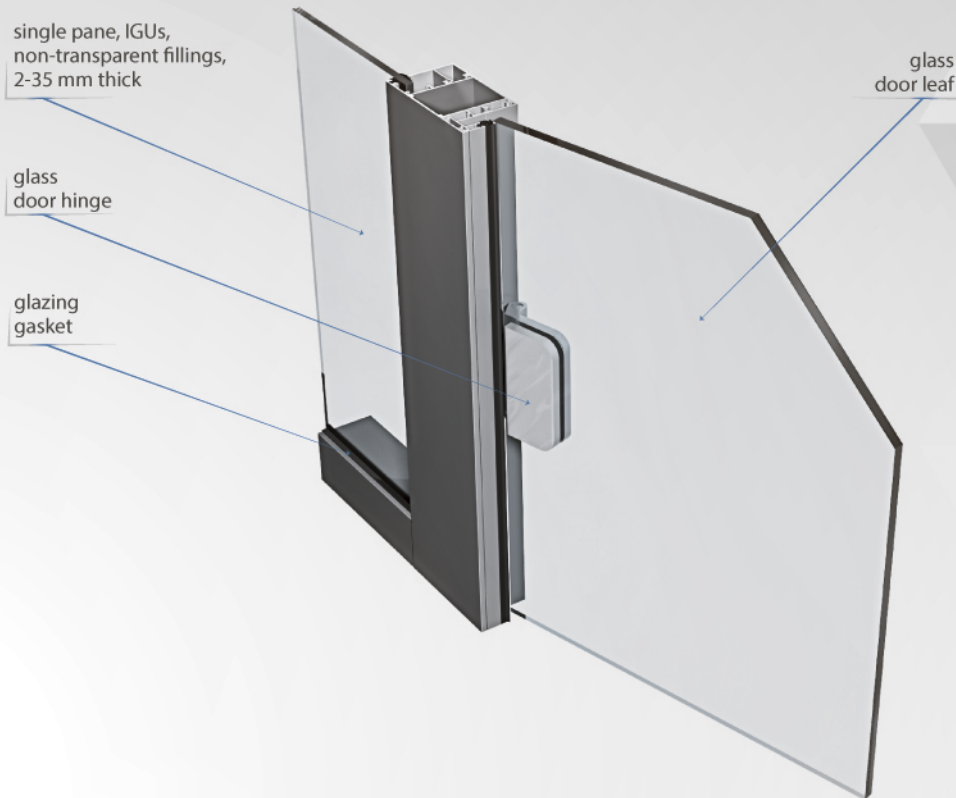
PONZIO PE50 DOOR

PONZIO PE50 CENTRAL HARDWARE GROOVE DOOR



- aluminium system without thermal insulation designed for internal doors
- regular, coplanar and central hardware groove doors available
- manual and automatic sliding doors available
- profile depth: 52 mm
- interconnected with other Ponzio systems
- wide variety of doors leaves: with kickplate - 90 deg joint, without kickplate - 45 deg joint, with threshold, without threshold.
- glazing beads for euro groove available
- profiles adjusted to a wide variety of hardware

PONZIO PE50 DOOR



- aluminium system without thermal insulation designed for internal glazed partitions, single and double glass doors
- profile depth: 52 mm
- interconnected with other Ponzio systems
- crimped or screwed joints
- glazing beads for euro groove available
- single and double doors available
- hardware by leading manufacturers (Dorma, CDA)
- doors hinges capacity up to 60 kg
- glass door leaf thickness - 8 mm