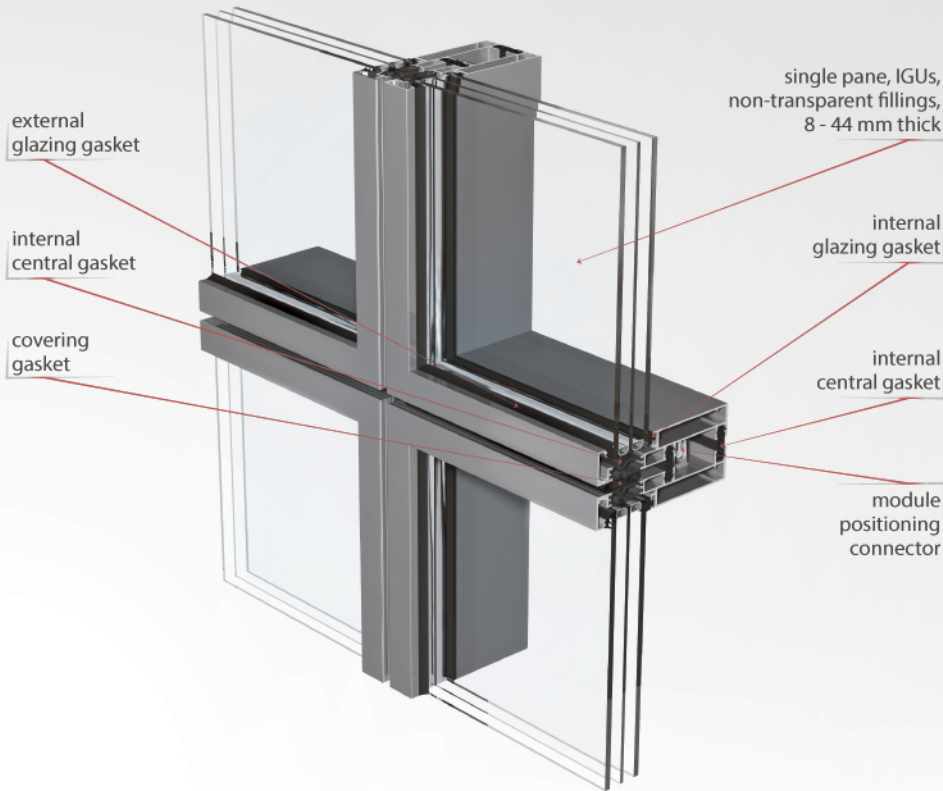
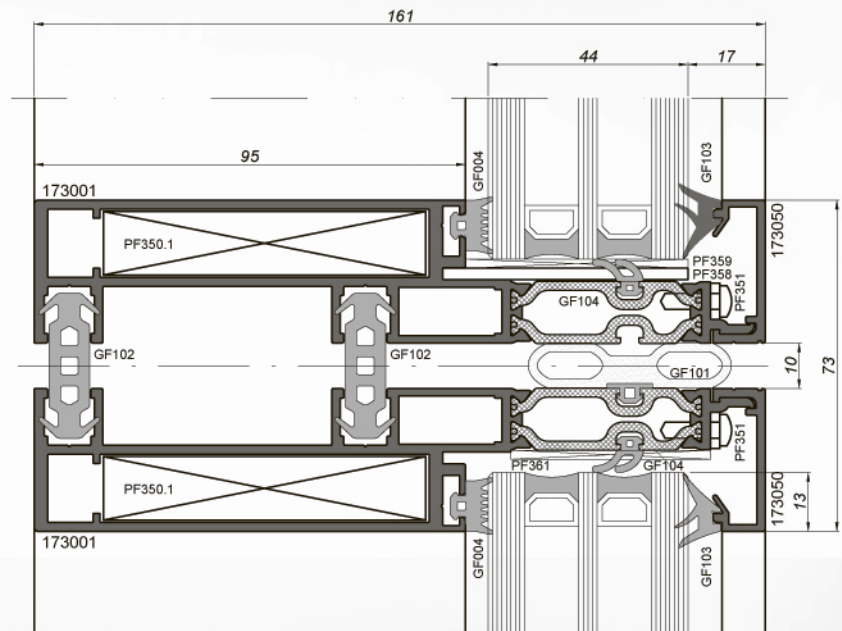


PONZIO PF173



$U_{CW} = 0.74 \text{ W/m}^2\text{K}$

*calculated for reference construction
W 1200 x H 2500 mm i $U_g = 0.5 \text{ W/m}^2\text{K}$
triple glazed unit



- curtain wall system consisting of prefabricated modules mounted to the building load-bearing structure
- installation of ready-made modules on site
- interconnected with other Ponzio systems
- profile width: frame - 31.5 mm, mullion/transom - 73 mm
- profile depth: 95 mm