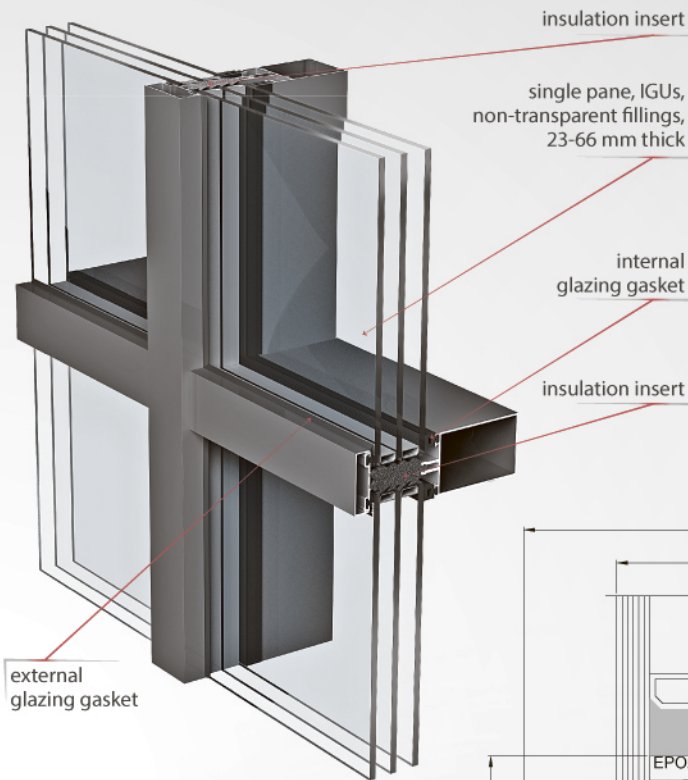


PONZIO PF152HI PASSIVE

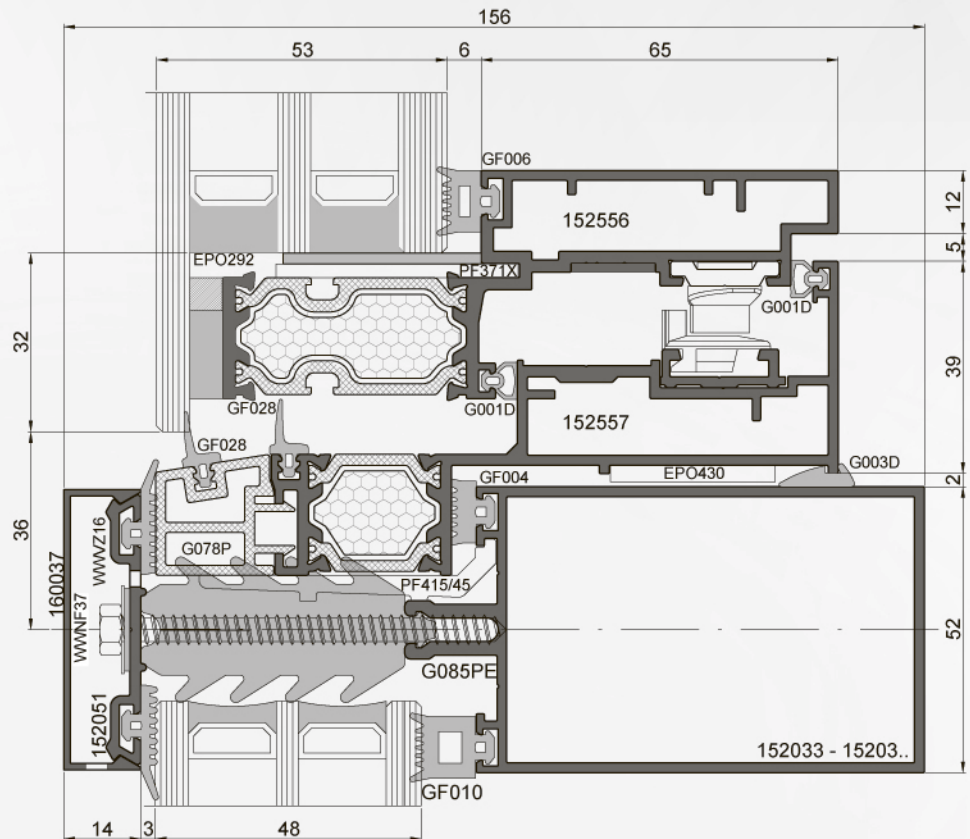


$$U_{cw} = 0.62 \text{ W/m}^2\text{K}$$

*calculated for reference construction
W 1200 x H 2500 mm, $U_g = 0.5 \text{ W/m}^2\text{K}$, triple glazed unit

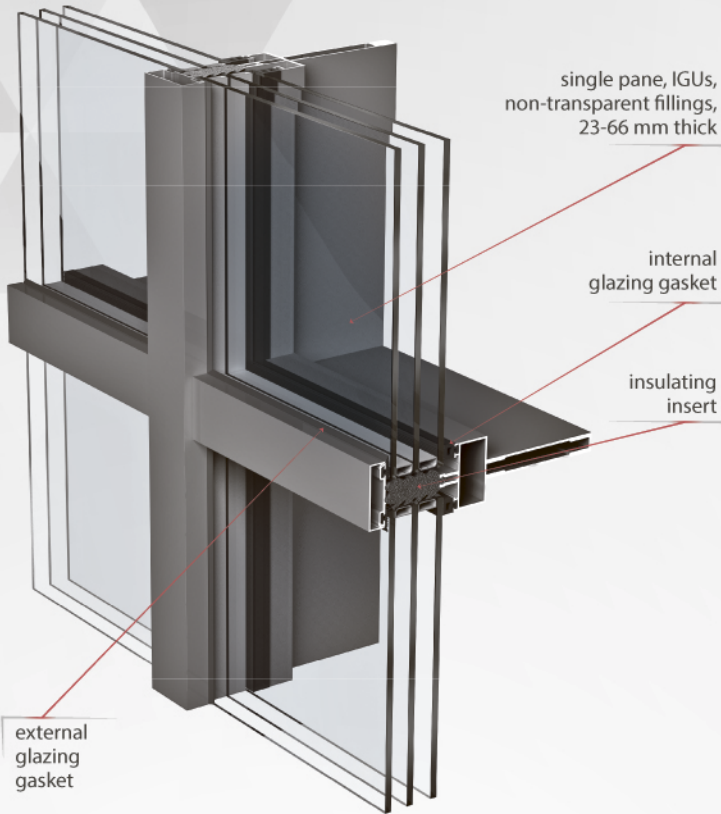
$$U_{cw} = 1.17 \text{ W/m}^2\text{K}$$

* $U_g = 1.0 \text{ W/m}^2\text{K}$, double glazed unit



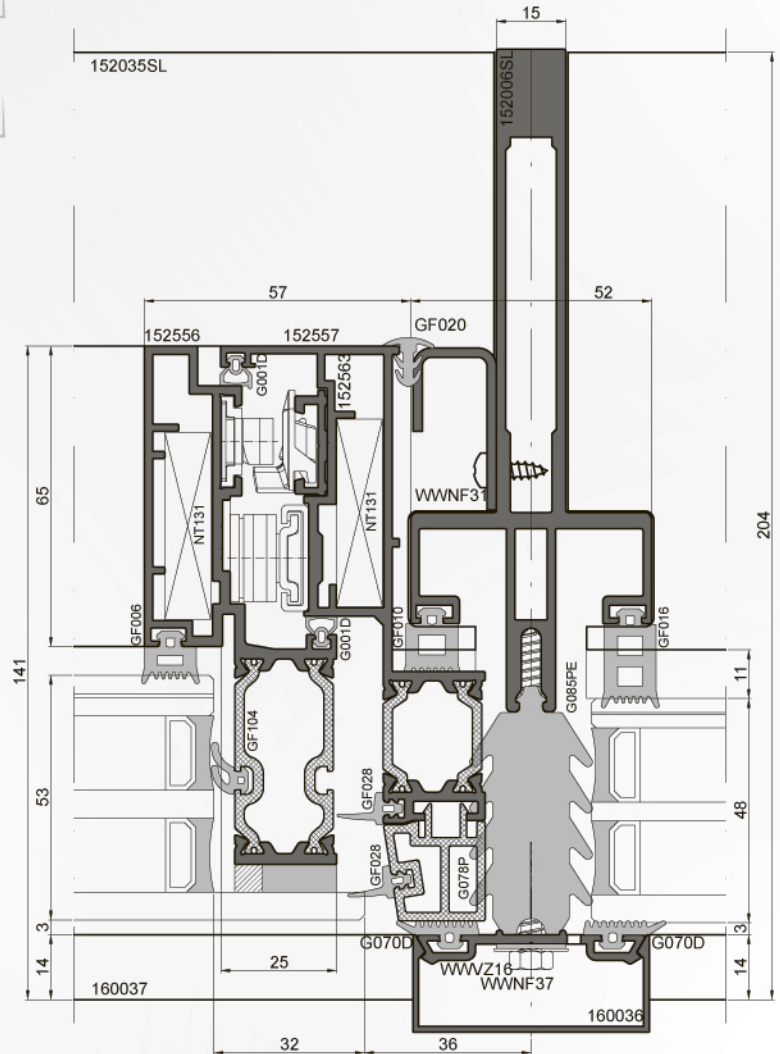
- aluminium mullion-transom curtain wall system of horizontal and vertical profiles
- profile width 52 mm
- cover profile width 51 mm
- good thermal insulation, sound reduction, watertightness and resistance to wind load parameters
- highest thermal insulation parameters in the Ponzio PF152HI PASSIVE variant resulting from the bespoke glazing pads used (certified by Passivhaus Institute in Darmstadt, class phA)
- may be mounted to a steel or wood substructure
- fire-resistant spandrel solutions available (EI60 class)
- allows creative design of curtain walls in terms of colour and shape
- "horizontal" or "vertical" line constructions
- a wide variety of decorative covers
- arched constructions possible
- interconnected with other Ponzio systems

PONZIO PF152 SLIM



$$U_{cw} = 0.62 \text{ W/m}^2\text{K}$$

*calculated for reference construction
W 1200 x H 2500 mm, $U_g = 0.5 \text{ W/m}^2\text{K}$,
triple glazed unit

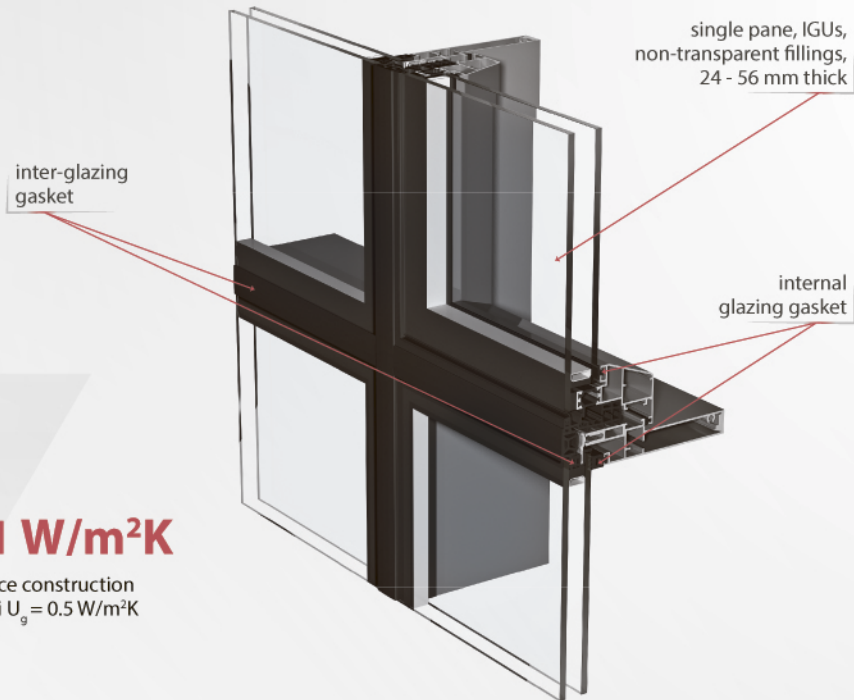


- aluminium mullion-transom curtain wall system
- external profile width: 52 mm
- internal (visible) profile width: 15 mm
- cover profile width: 51 mm
- good thermal insulation, sound reduction, watertightness and resistance to wind load parameters (as a variant of PF152)
- allows creative design of curtain walls in terms of colour and shape
- "horizontal" or "vertical" line constructions
- a wide variety of decorative covers
- interconnected with other Ponzio systems

CURTAIN WALL WITH INTEGRATED WINDOW

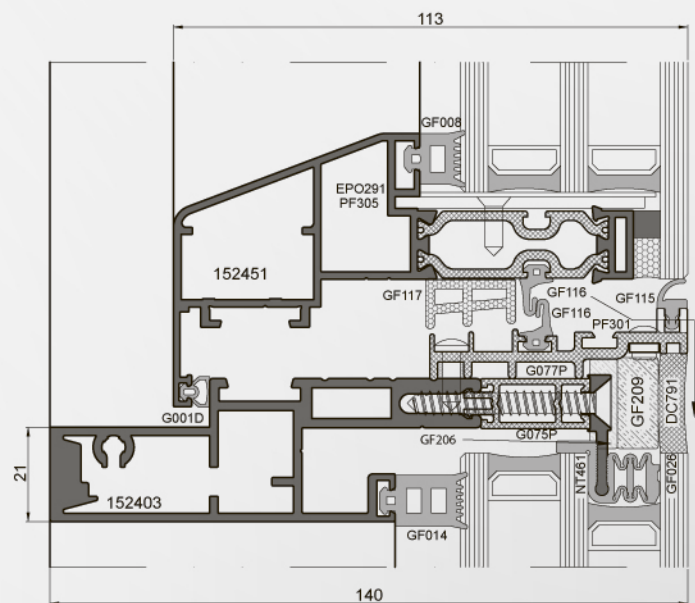
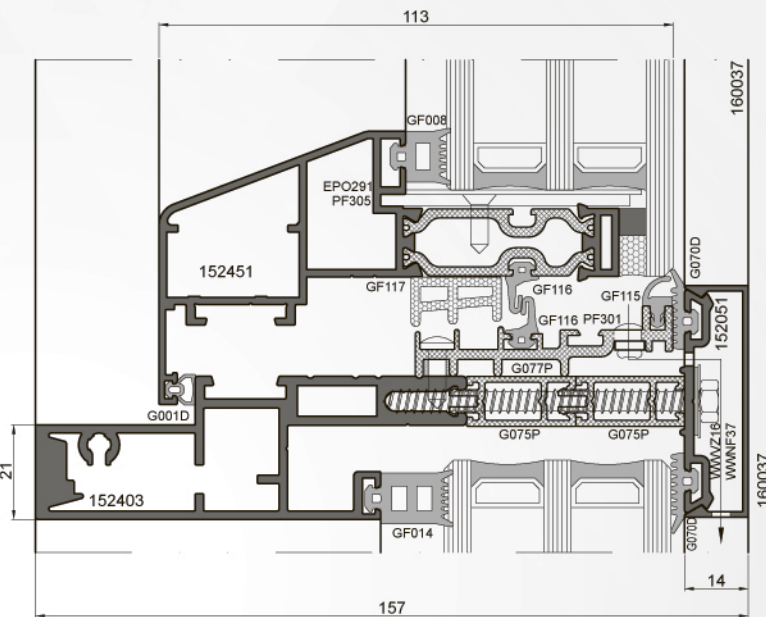
PONZIO PF152IW

MS MODERN SOLUTION
we can, we do



$$U_{cw} = 0.91 \text{ W/m}^2\text{K}$$

*calculated for reference construction
W 1200 x H 2500 mm i $U_g = 0.5 \text{ W/m}^2\text{K}$
triple glazed unit



- aluminium mullion-transom curtain wall system with standard and semi-structural glazing
- variant of the PF152ESG semi-structurally glazed curtain wall with concealed inward opening windows
- flush external surfaces
- vertical and horizontal profile width: 21 mm
- structural profile depth: 76 mm, 100 mm, 124 mm
- window sash profile depth: 77 mm or 101 mm; glazing range: 24-56 mm