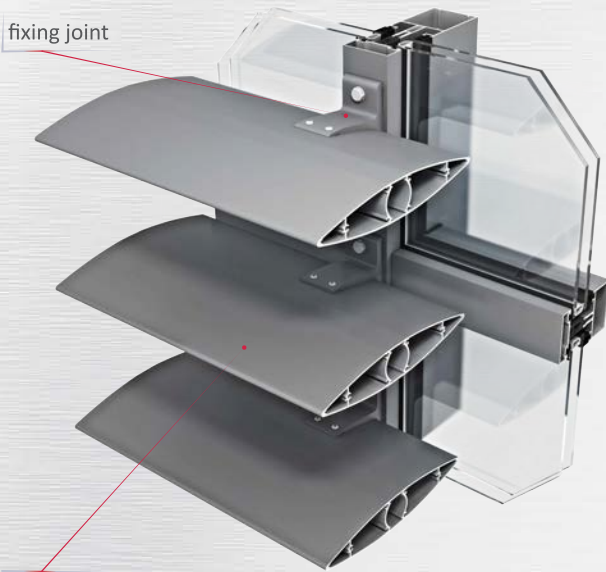
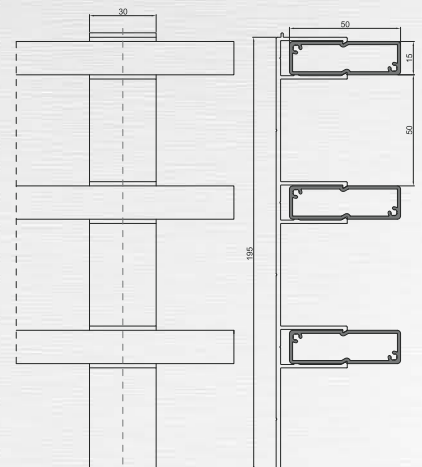
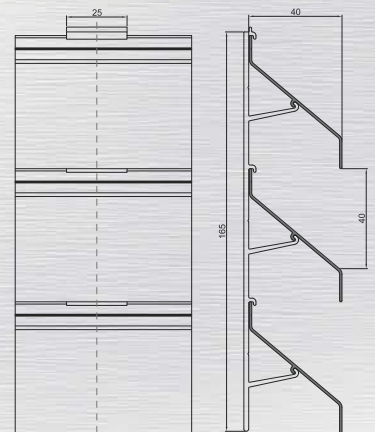
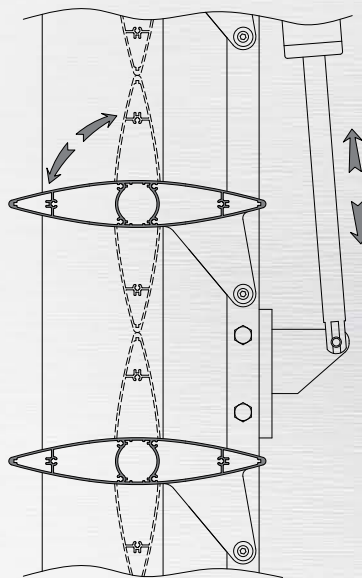
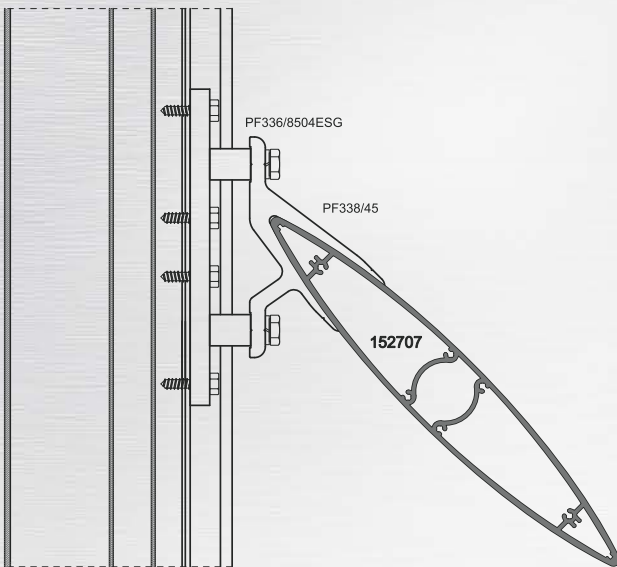


## PONZIO SUN PROTECT

fixing joint



louver profile



A modern solution for protecting buildings from excessive sunlight.

- › louvers are recommended for use in conjunction with large glazed constructions in order to reduce sunlight exposure of interior spaces
- › the system includes: 100 - 400 mm aerofoil blade profiles as well as 40 and 80 mm "Z" shaped profiles
- › louvers mounted to walls, curtain walls as well as windows
- › joints for mounting profiles at 15°, 30° and 45° degrees relative to the horizontal plane
- › movable louver variant - automatically controlled position